

Popup Bar Mini Header

PBFM902-B-HDR

The mini portable Popup™ Bar header is an accessory that easily attaches to the mini Popup Bar counter top. The aluminum tube frame simply screws into the counter top. A stretchy printed fabric graphic slips over the top of the frame for branding and messaging.



features and benefits:

- Lightweight tube frame
- Fabric graphics slip over frame
- Connects to counter top
- Can be recycled
- One year limited hardware warranty against manufacturer defects

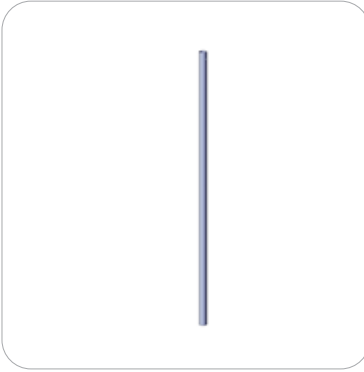
dimensions:

Hardware	Graphic
<p>Assembled unit: 22.13"w x 59.52"h x 1.18"d 563mm(w) x 1512mm(h) x 30mm(d)</p> <p>Approximate weight (Hardware only): 3 lbs / 82kg</p>	<p>Refer to related graphic template for more information.</p>
Shipping	additional information:
<p>Packing case(s): 1 Box(es)</p> <p>Shipping dimensions: 48"l x 11"h x 4"d 1,120mm(l) x 280mm(h) x 102mm(d)</p> <p>Approximate total shipping weight: 4 lbs / 2 kg</p>	<p>Graphic material: Dye-sublimation zipper pillowcase fabric</p>

We are continually improving and modifying our product range and reserve the right to vary the specifications without prior notice. All dimensions and weights quoted are approximate and we accept no responsibility for variance. E&OE. See Graphic Templates for graphic bleed specifications.

Included In Your Kit

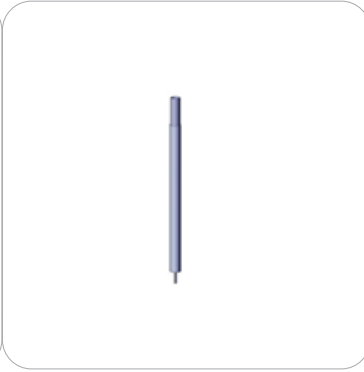
Tools, Components, & Connectors



PBFM902-B-HDR-T1 x2



PBFM902-B-HDR-T5 x1



PBFM902-B-HDR-T6 x2



TC-30-90 x2

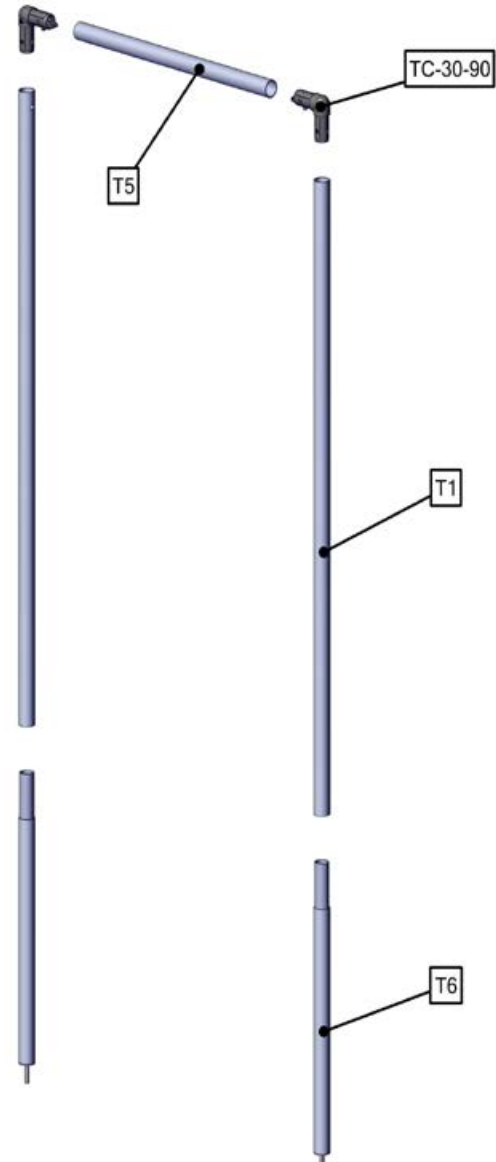
Graphics



PBFL301-B-HDR-G x1

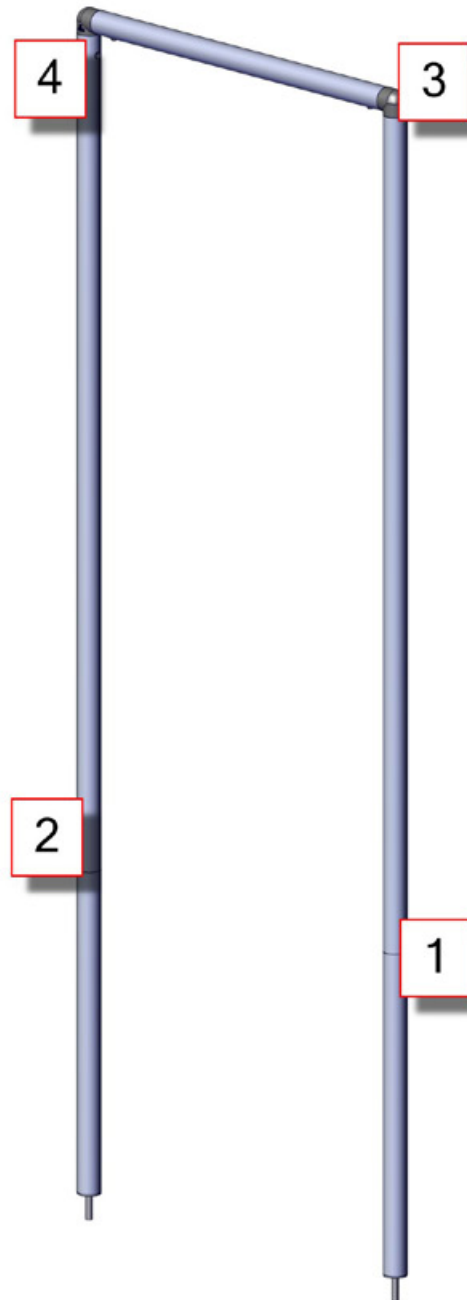
Exploded Diagram

PBFM902-B-HDR



Labeling Diagram

PBFM902-B-HDR

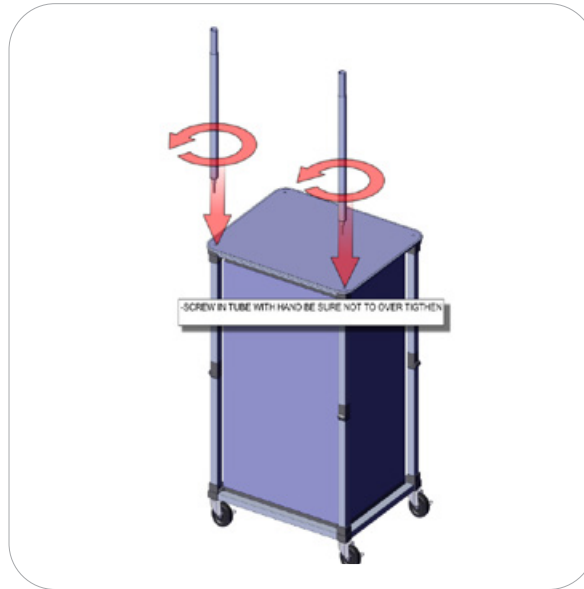
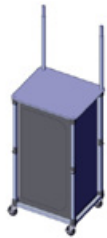


Kit Assembly

Step by Step

Step 1.

Gather the components to build STEP 1. Use the Exploded View and the Labeling Diagram for part labels.



Step 2.

Gather the components to build STEP 2. Use the Exploded View and the Labeling Diagram for part labels.

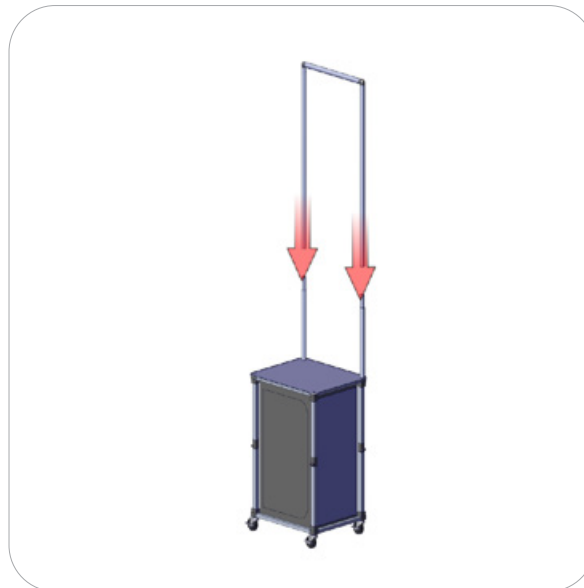
Reference Connection Method(s) 1 for more details.



Step 3.

Gather the components to build STEP 3. Use the Exploded View and the Labeling Diagram for part labels.

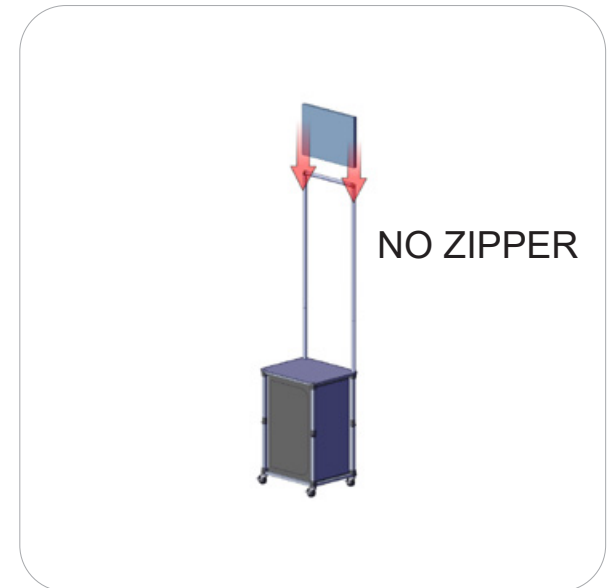
Reference Connection Method(s) 1 for more details.



Step 4.

Setup is complete.

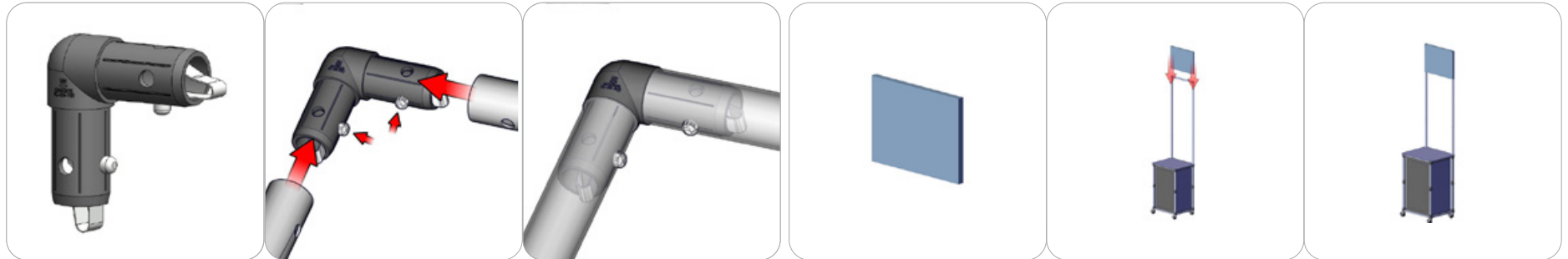
Reference Connection Method(s) 2 for more details.



Connection Methods

Connection Method 1: TC-30-90

Connection Method 2: ATTACH



Take the plastic connector and make sure the snap buttons are in proper position for the frame tube. Pull graphic over top of top frame. There is no zipper, graphic just slides over tubes like a pillow top. The snap button should pop through. Some twisting may be necessary to assure the snap button has popped all the way through the tube hole. Do not force the connection and be careful with the tube edges, they may be sharp.